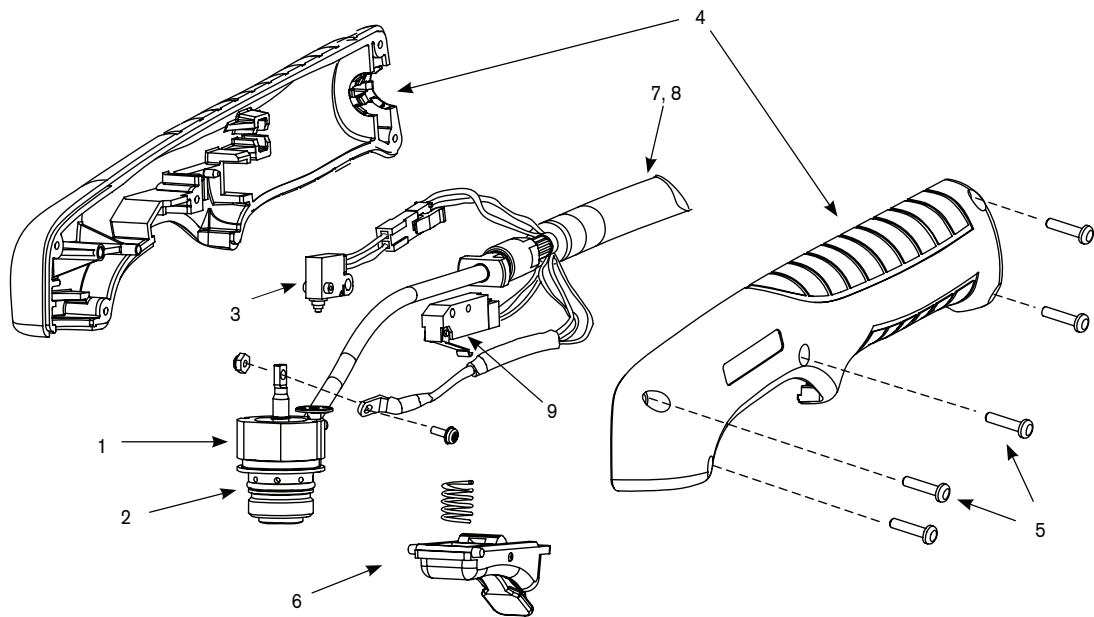


T45v hand torch assembly



Assembly

Part number	Description
088008*	T45v hand torch assembly with 6.1 m (20') leads
088009*	T45v hand torch assembly with 15.2 m (50') leads
1. 228346	Kit: Torch body replacement
2. 058503	O-ring: torch body
3. 228109	Kit: Cap-sensor switch replacement
4. 228313	Kit: handle
5. 075714	Handle screws
6. 002294	Safety trigger and spring replacement
7. 228315	Kit: Torch lead replacement, 6.1 m (20')
8. 228316	Kit: Torch lead replacement, 15.2 m (50')
228300	Work lead with clamp, 6.1 m (20')
228307	Work lead with clamp, 15.2 m (50')
9. 128642	Kit: T45v/T30v start switch replacement

*Assembly includes consumables.

