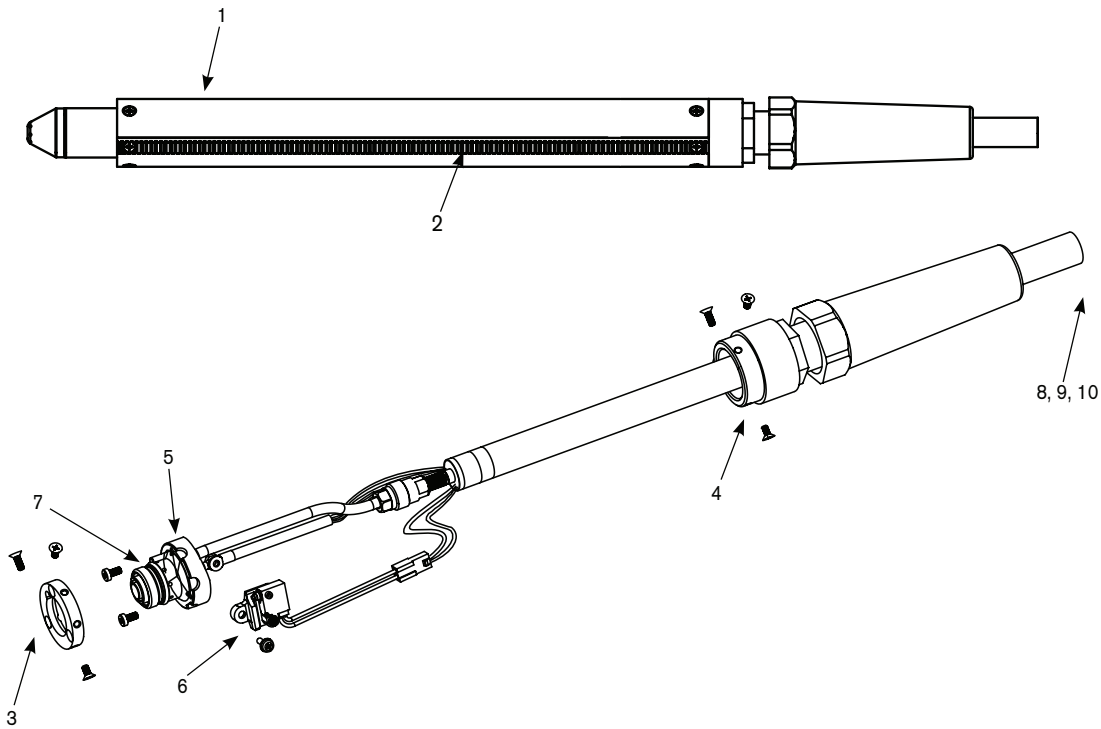


powermax45[®]

T45m machine torch assembly



Assembly

Part number	Description
088010*	T45m machine torch assembly with 7.6 m (25') leads
088011*	T45m machine torch assembly with 10.7 m (35') leads
088012*	T45m machine torch assembly with 15.2 m (50') leads
1. 228228	Kit: T45m positioning sleeve
2. 228229	Kit: T45m removable gear rack
3. 228322	Kit: Front mounting ring
4. 228323	Kit: Rear mounting ring
5. 228320	Kit: T45m torch body replacement
6. 228321	Kit: T45m cap-sensor switch replacement
7. 058503	O-ring: torch body
8. 228317	T45m torch lead replacement, 7.6 m (25')
9. 228318	T45m torch lead replacement, 10.7 m (35')
10. 228319	T45m torch lead replacement, 15.2 m (50')
128650	On/Off pendant for machine torch, 7.6 m (25')
128651	On/Off pendant for machine torch, 15.2 m (50')
128652	On/Off pendant for machine torch, 22.8 m (75')
228300	Work lead with clamp, 6.1 m (20')
228307	Work lead with clamp, 15.2 m (50')

*Assembly includes consumables.

